

# 5G Divider/Coupler solution



Technology Innovation of RF Microwave Industry

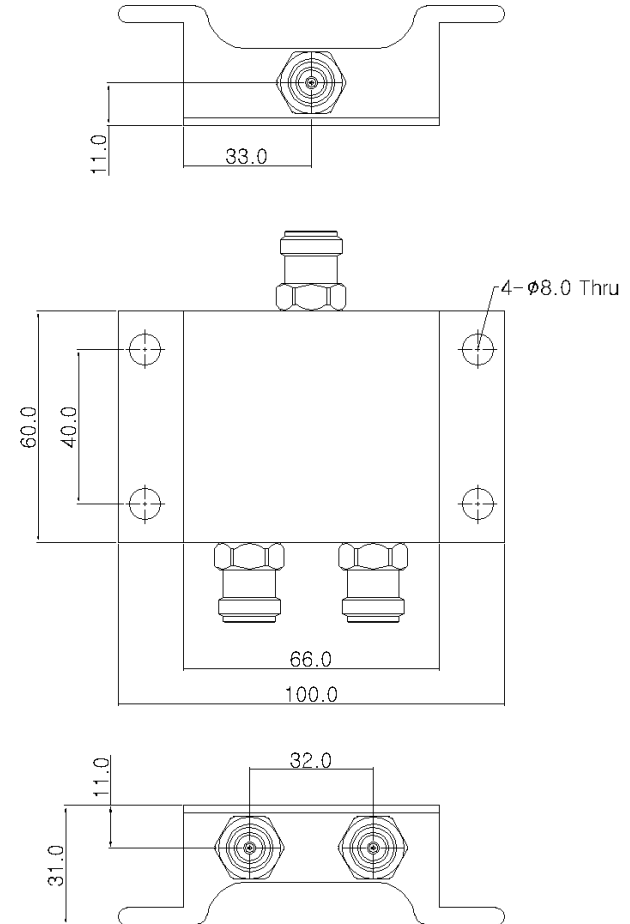


RF MORECOM COREA

# 1. RFCPD2W11(2way divider )

## 1. Electrical Specifications

Parameter	Specification	Remark
Frequency Range	800~960MHz/1710~2170MHz/ 2300~2700MHz/3400~3900MHz	
Insertion Loss	P1(50%)	P2(50%)
	3.6dB max.	3.6dB max.
In/Out VSWR	1.2:1 max.	
Isolation	20dB min.	
PIMD	3 <sup>rd</sup> :-150dBc min. 5 <sup>th</sup> :-160dBc min.	40dBm@2tone
Input Power	150W max.	Forward
Impedance	50Ω	



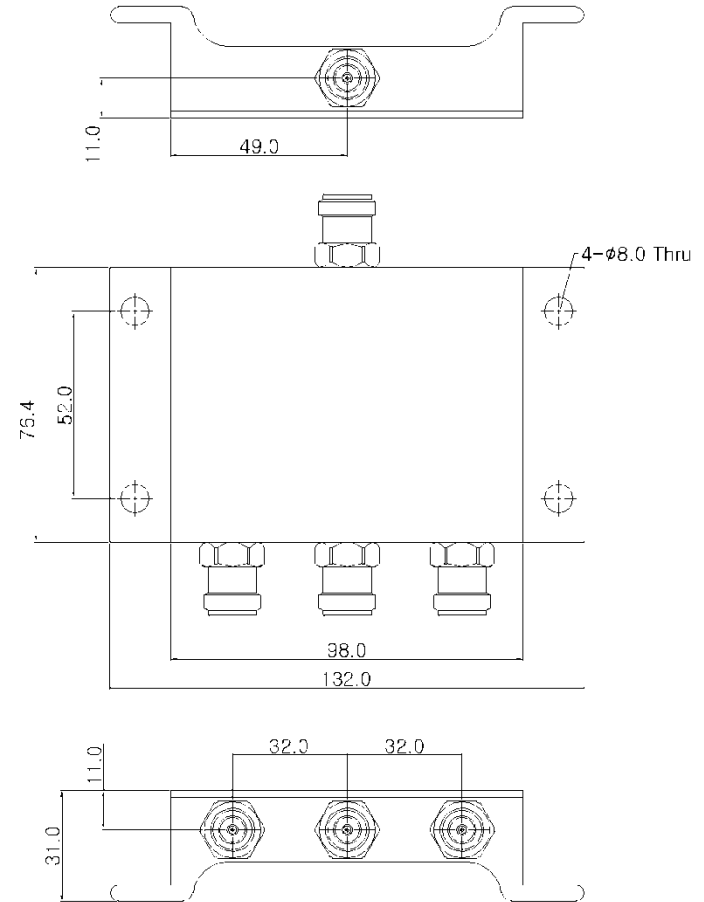
## 2. Mechanical Specification

Parameter	Specification	Remark
Dimension(WXDXH)	100.0X60.0X31.0(mm) /without connector	Refer to the drawing
In/Out Connector	N-female	
Finish	Chromate	
Weight	400g	

# 2. RFCPD3W111 (3way divider)

## 1. Electrical Specifications

Parameter	Specification	Remark
Frequency Range	800~960MHz/1710~2170MHz/ 2300~2700MHz/3400~3900MHz	
Insertion Loss	P1(33%)    P2(33%)    P3(33%)	
	6.0dB max.    6.0dB max.    6.0dB max.	
In/Out VSWR	1.2:1 max.	
Isolation	20dB min.	
PIMD	3 <sup>rd</sup> :-150dBc min. 5 <sup>th</sup> :-160dBc min.	40dBm@2tone
Input Power	150W max.	Forward
Impedance	50Ω	



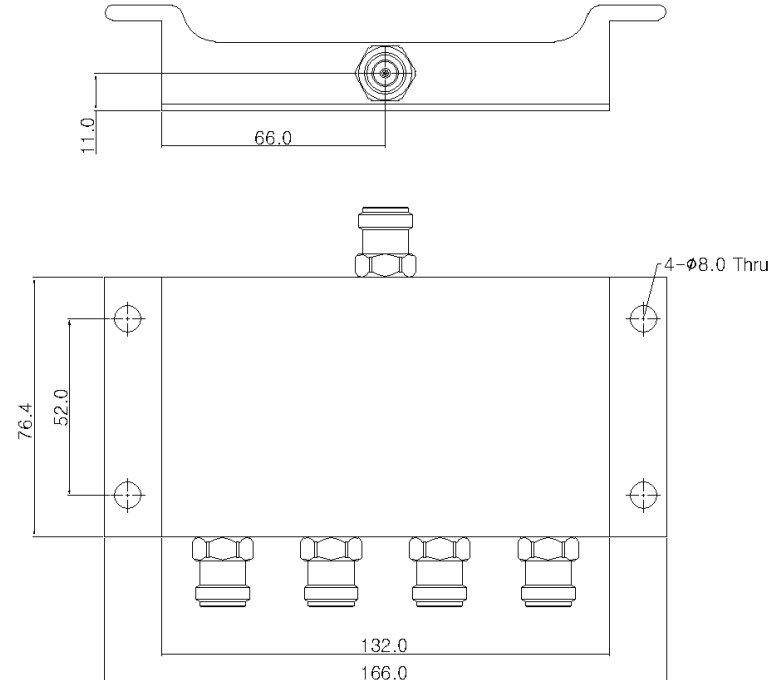
## 2. Mechanical Specifications

Parameter	Specification	Remark
Dimension(WXDXH)	132.0X76.0X31.0(mm) /without connector	Refer to the drawing
In/Out Connector	N-female	
Finish	Chromate	
Weight	590g	

# 3. RFCPD4W1111 (4way divider)

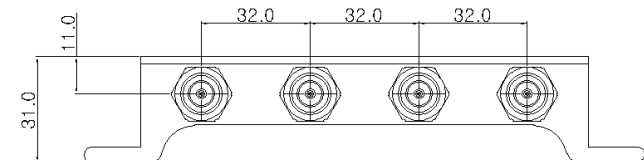
## 1. Electrical Specifications

Parameter	Specification				Remark
Frequency Range	800~960MHz/1710~2170MHz/ 2300~2700MHz/3400~3900MHz				
Insertion Loss	P1(25%)	P1(25%)	P1(25%)	P1(25%)	
	7.2dB max.	7.2dB max.	7.2dB max.	7.2dB max.	
In/Out VSWR	1.2:1 max.				
Isolation	20dB min.				
PIMD	3 <sup>rd</sup> :-150dBc min. 5 <sup>th</sup> :-160dBc min.				40dBm@2tone
Input Power	150W max.				Forward
Impedance	50Ω				



## 2. Mechanical Specifications

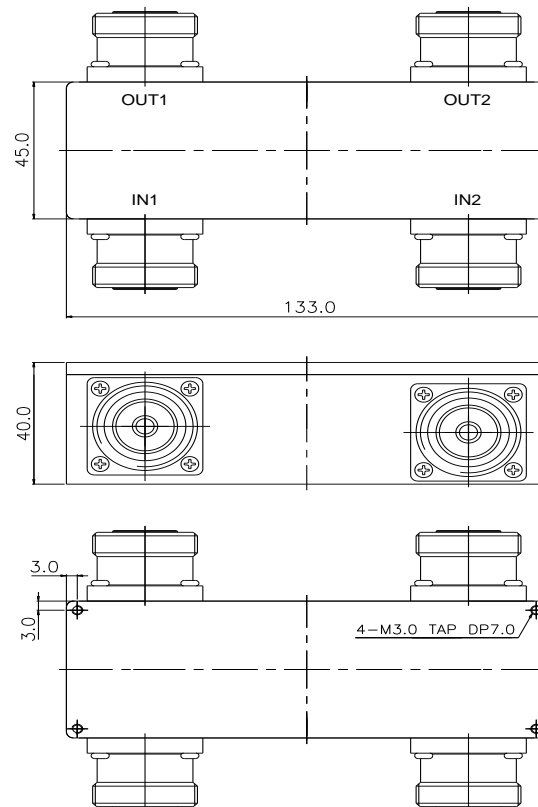
Parameter	Specification	Remark
Dimension(WXDXH)	166.0X76.4X31.0(mm) /without connector	Refer to the drawing
In/Out Connector	N-female	
Finish	Chromate	
Weight	790g	



# 4.RMCHC2350M3100B(Hybrid Coupler)

## 1. Electrical Specifications

Parameter		Specification	
Pass band	Service	Frequency	Port
	5G	3.35~3.9Ghz	P1,P2->P3,P4 (ANT1,2)
	LTE	819~960, 1710~1870, 1885~2170, 2300~2700MHz	P1,P2->P3,P4(ANT 1,2)
Insertion Loss	3.8dB max		
Return Loss	18dB INPUT		
Isolation	22dB min.		
PIMD	-155dBc @43dBm(CW)X2Tone		
Max Input Power	Max.500W per port		
Impedance	50Ω		
Connector	N type		
Application	Temp:-30°C~+60°C, Humi: 95%		
Ingress Protection	IP67		



## 2. Mechanical Specifications

Parameter	Specification	Remark
Dimension(WXDXH)	166.0X76.4X31.0(mm) /without connector	Refer to the drawing
In/Out Connector	Din-female	
Finish	Gray Color Paint	
Weight	4.5Kg max.	